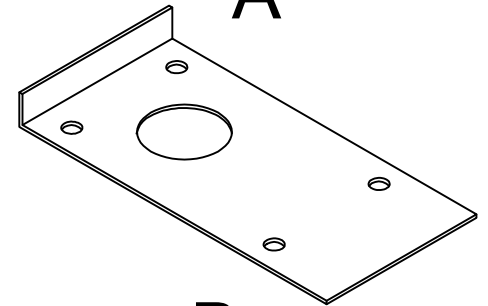
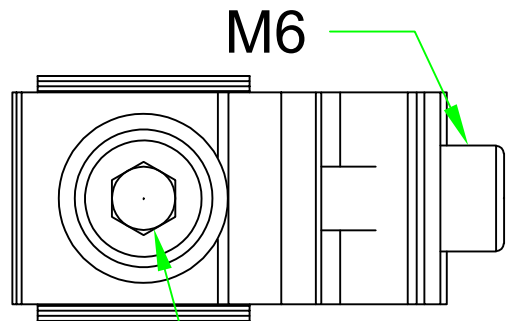


A

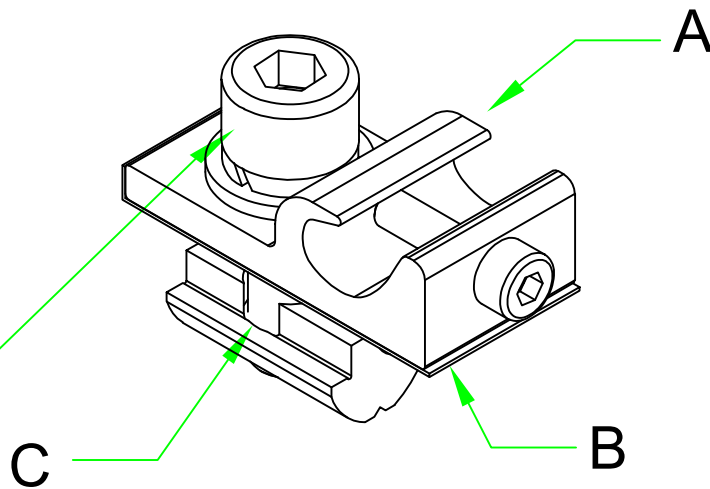


B



M6

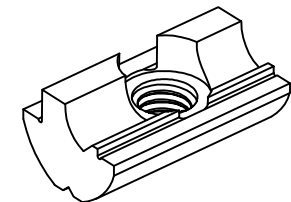
M8*18



A

B

C



C

SPECTASUN				
Project	MOSP-GL-01	Drawing NO	MOSP-20221028 GL AL	
Scale	1:1	Page	1/1	View 